



# WORLDWIDE ELECTRIC MOTOR DATA SHEET

## PEWWE400-12-586/7-IB



HORSEPOWER	<b>400</b>
RPM / POLES	<b>1200 / 6</b>
VOLTAGE / PHASE	<b>460V / 3</b>
FRAME	<b>586/7</b>
ENCLOSURE / DEGREE OF PROTECTION	<b>TEFC / IP55</b>
FREQUENCY	<b>60 HZ</b>
FULL LOAD SPEED	<b>1190 RPM</b>
SERVICE FACTOR	<b>1.15</b>
INSULATION CLASS	<b>F</b>
FULL LOAD AMPS	<b>449 A</b>
LOCKED ROTOR AMPS (STARTING)	<b>2900 A</b>
NO LOAD CURRENT	<b>137 A</b>
NEMA CODE LETTER	<b>F</b>
EFFICIENCY / POWER FACTOR	<u>LOAD</u> <u>EFF.</u> <u>P.F.</u>
	<b>100 %</b> <b>95.8%</b> <b>0.87</b>
	<b>75 %</b> <b>96.0%</b> <b>0.85</b>
	<b>50 %</b> <b>95.8%</b> <b>0.78</b>
DUTY CYCLE	<b>S1 / Continuous</b>
TORQUE	<u>FULL LOAD</u> <u>LRT</u> <u>BDT</u>
	<b>1765 lb.ft.</b> <b>190%</b> <b>260%</b>
SLIP	<b>0.83 %</b>
NEMA DESIGN	<b>Bi-Directional</b>
MOMENT OF INERTIA	<b>275 lb.ft.<sup>2</sup></b>
MAX. TIME LOCKED ROTOR (Hot)	<b>14 Seconds</b>
SOUND PRESSURE LEVEL	<b>78 dB (A)</b>
MAX. AMBIENT TEMPERATURE	<b>40° C</b>
MAX. ELEVATION	<b>3300 Ft.</b>
TEMPERATURE RISE (At Full Load)	<b>80° C</b>
DE BEARING	<b>NU326 C3</b>
ODE BEARING	<b>6324 M/C3</b>
REGREASING INT. - DE BEARING	<b>1,500 Hours</b>
REGREASING INT. - ODE BEARING	<b>2,200 Hours</b>
GREASE TYPE	<b>Mobil Polyrex EM</b>
MOUNTING	<b>F1</b>
ROTATION	<b>Bi-Directional</b>
SHAFT MATERIAL	<b>4140 Carbon Steel</b>
INVERTER RATING	<b>101 CT / 20:1 VT PWM Type</b>
CONNECTION DIAGRAM	<b>460 V - 6 Lead Δ</b>
AREA CLASSIFICATION	<b>Class I, Division 2, Groups A, B, C, D</b>
APPROXIMATE WEIGHT	<b>4707 lbs.</b>



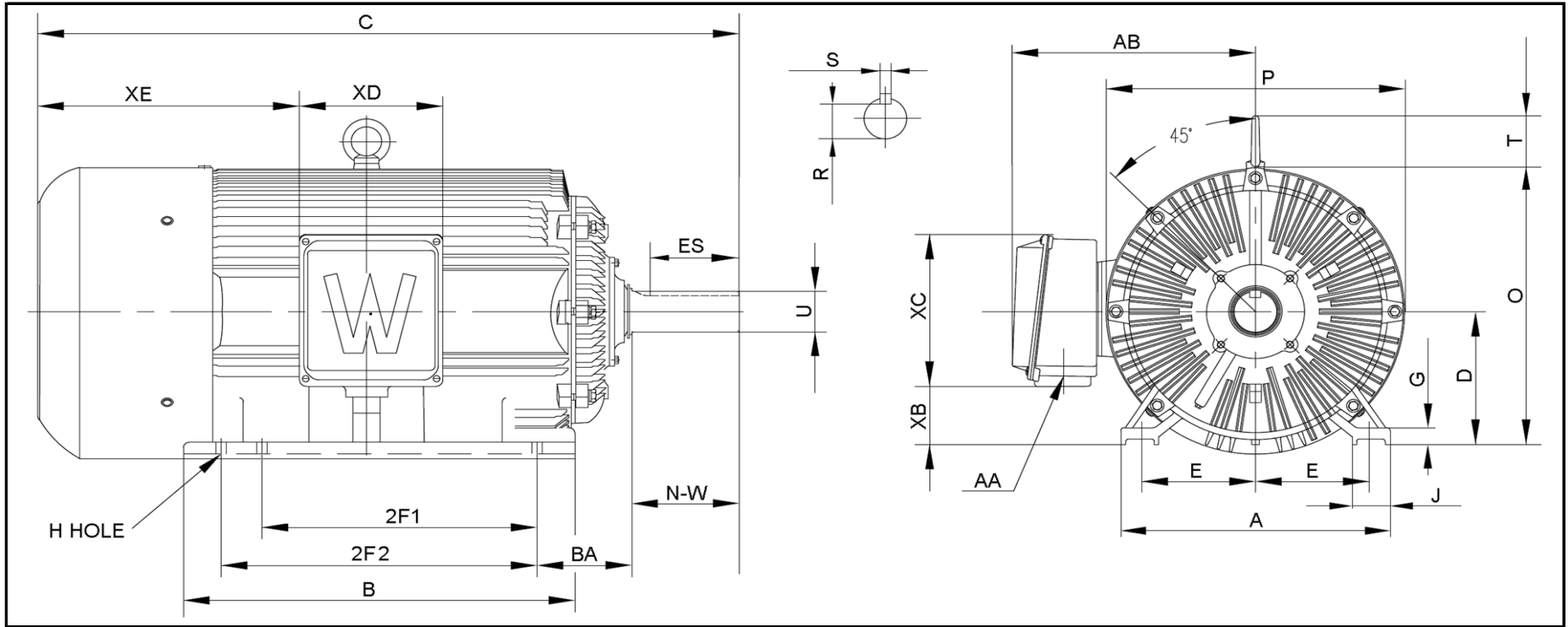
**CC006A**





# WORLDWIDE ELECTRIC MOTOR DRAWING

## PEWWE-586/7



**DIMENSIONS - INCHES**

MOUNTING					A	B	C	D	G	J	P	O	T	AB
E	2F1	2F2	H	BA										
11.5	22	25	1.125	10	28	33.85	66	14.5	2.05	5	30.5	28.9	5	25

KEY		KEYSET	SHAFT		TERMINAL BOX				
S	ES	R	N-W	U	AA	XB	XC	XD	XE
1	10	3.309	11.625	3.875	2 x 3"	5	16.5	14.5	---

# PERFORMANCE CURVES

WorldWide Electric Corporation

1 (800) 808-2131

Worldwideelectric.net

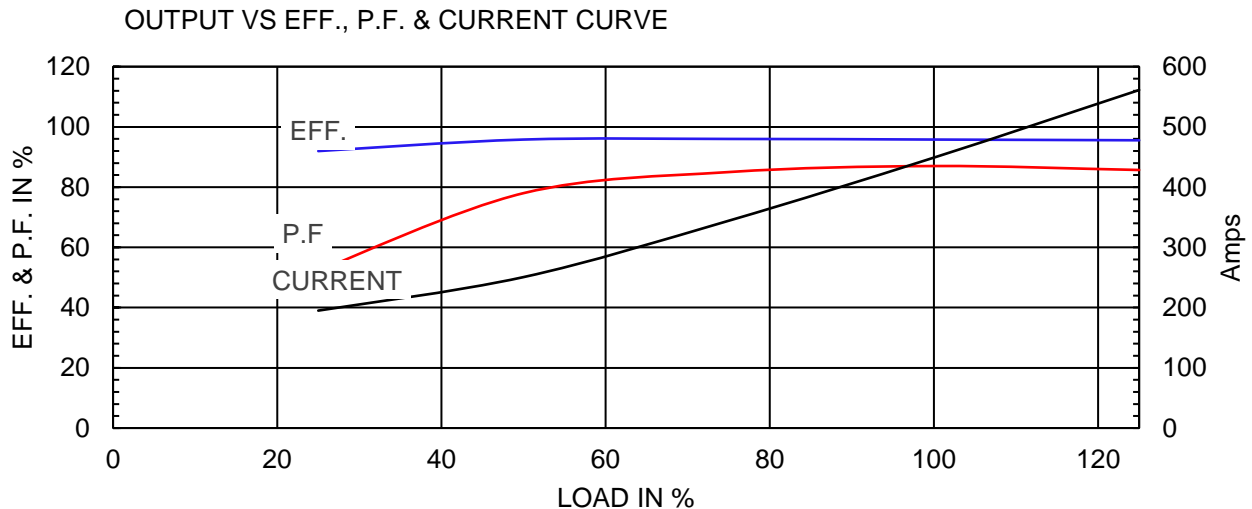
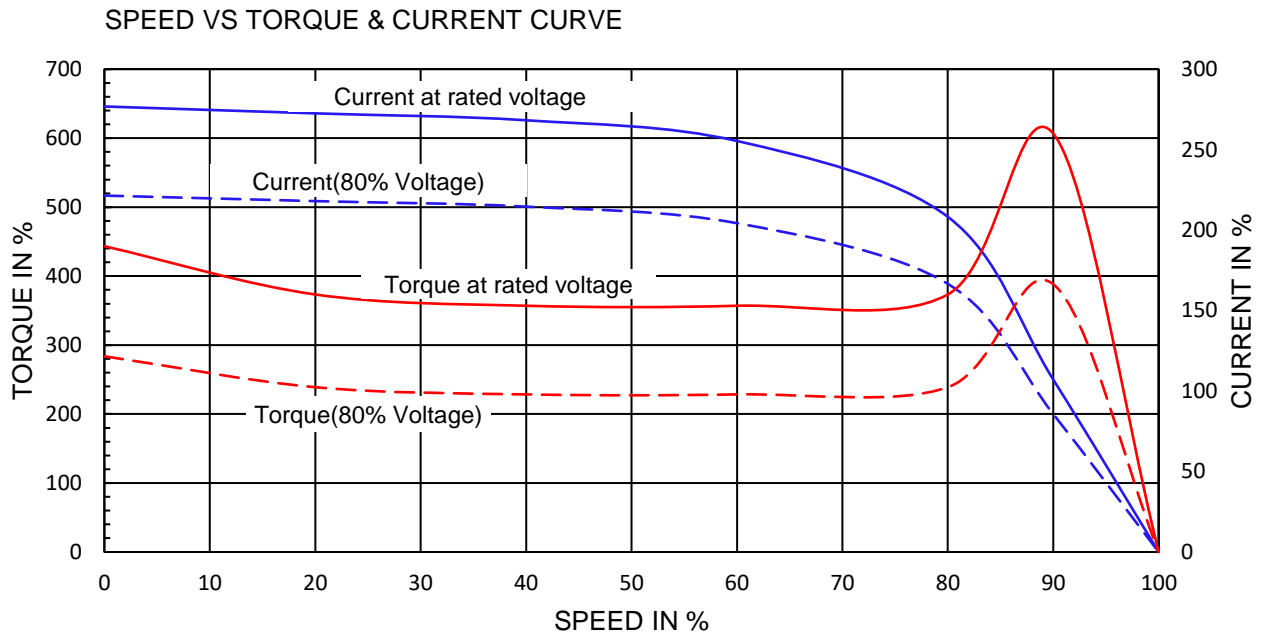


Premium Efficiency Motor:

**PEWWE400-12-586/7-IB**

Document Generated:	25-Jun-2020	Customer:	
Document ID:			

Motor Type	PEWWE		
Output Rating (HP)	400	FL Speed	1190
Full Load Torque	1765 lb.ft	LRT (%FLT)	190
		460 volt FLA	449
Rotor Wk <sup>2</sup>	275 lb-ft <sup>2</sup>	BDT (%FLT)	260
		230 volt FLA	A



# NAMEPLATE / WIRING

WorldWide Electric Corporation

1 (800) 808-2131

Worldwideelectric.net






Premium Efficiency Motor:

**PEWWE400-12-586/7-IB**

Document Generated: 14-Oct-2019  
Document ID:

Customer:

## SAMPLE NAMEPLATE DATA

 		<b>PREMIUM EFFICIENCY 3-PHASE INDUCTION MOTOR</b>				259277 	CC006A ISO9001
Model	PEWWE400-12-586/7-IB		Ser No.	ZP			
HP	400	S.F.	1.15	Type		Encl	TEFC IP55
Frame	586/7	P.F.	0.87	Ins Cl	F	Rating	40°C Amb Cont
Voltage	460 V	Hz	60 Hz	Design	B	DE Brng	NU326 C3
Amps	449A	RPM	1190	Code	G	ODE Brng	6324 M/C3
Nom. Eff.	FL 95.8 %	3/4 96.0 %	460	V		Date	
Class I Division 2 Groups A B C D				Amb. 40°C		T3(200°C)	
10:1 CT 20:1 VT PWM VFD 1.0SF							
<b>WorldWide Electric Corporation</b>							

**Connection**

6	4	5
1	2	3
L1	L2	L3

